



yellobrik®

yellobrik®

Quick Reference

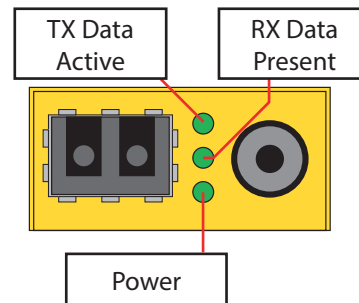
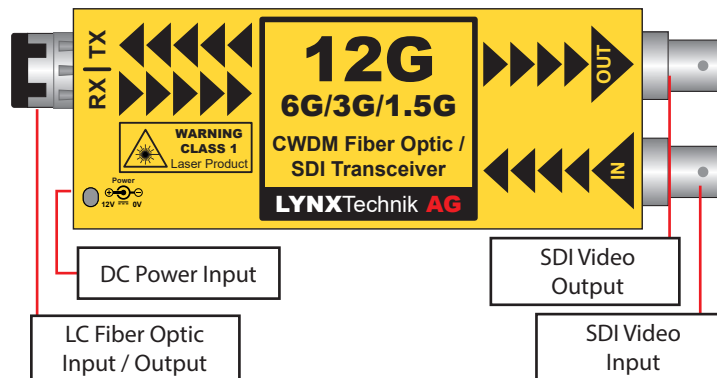
Technical Specifications

| | |
|--------------------|--|
| SDI Video | 1 x SDI video input on 75 Ohm BNC connector 1 x SDI video output on 75 Ohm BNC connector |
| | SMPTE 424M, SMPTE 292M, SMPTE 259M |
| | Multi-standard operation from 270Mbit/s to 3Gbit/s |
| | Return Loss: >15dB to 1.5GHz; >10dB up to 3GHz |
| | Automatic cable EQ (Belden 1694A cable) 250m @ 270Mbit/s, 140m @ 1.5Gbit/s, 80m @ 3Gbit/s |
| Fiber Optic | 1 x fiber optic input (Range 1260-1620nm, Sensitivity: - 14dBm to -10dBm) 1 x fiber optic output (CWDM - 18 selectable wavelengths - ITU-T G.694.2) Optical Power: -2 to 3dBm Duplex (Singlemode) using LC/PC Connections |
| | SMPTE 297M - 2006 |
| | TX active LED, and RX active on side of module |
| | Max. distance approx. 10km (6.2 miles) |
| Power | +12V DC @ 1.9W nominal - (power supply included) (supports 7 - 24V DC input range) Power LED on side of module |

We are constantly adding additional yellobrik modules. Please visit our website for the latest product updates.

www.lynx-technik.com

OTR 1440 12G Fiber Optic / SDI Transceiver (CWDM)



WARNING: Module laser is active as soon as power is connected, regardless of LED indication

WARNING



LASER RADIATION
Do not view directly with optical instruments

CLASS 1M LASER PRODUCT

Connections

The SDI input and output is connected to the corresponding 75 Ohm BNC connections provided (up to 12G). The fiber connection is made with a duplex LC connector as indicated on the module. An example of a duplex LC connector shown below.



Note: The module is designed for use with SMF (Singlemode) fiber cable.

Use the included dust plug to protect the optical connection from dust.

18 wavelengths are available to choose from when ordering the module.

Operation

The OTR 1440 combines a CWDM fiber optic transmitter and receiver into a single package. Different SDI video formats and standards can be transmitted and received up to 12G. Data reception activity is indicated by the RX LEDs on the side of the module.

Operation is fully automatic. The fiber input video rates are automatically detected, relocked and provided on the BNC output connectors. No user settings are provided for this module. The module supports hot swapping and hot plugging of connections.

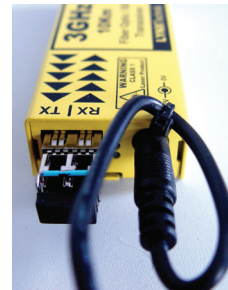
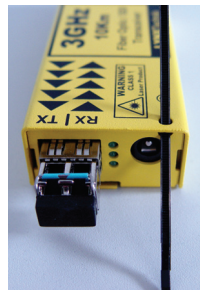
Note: If TX LED is OFF this indicates no SDI input is present, or the input signal is not valid. If RX LED is OFF this indicates no signal is present, signal too weak or is a non valid input.

Power

The module requires a clean 12V DC (7-24V DC) power source. An LED is provided to confirm power is connected. A 12V DC power supply is included with the module. If you are applying your own power source, please provide a clean, 7-24V DC power source. Power consumption information can be found in the technical specifications table.

Power Lead Strain Relief

The modules have a small hole in the case located above the power connection to prevent the power lead being accidentally pulled out. Use the supplied tie-wrap and secure the lead as shown below.



Optional Mounting Brackets

The optional RFR 1001 mounting brackets can be used to permanently mount the modules on any flat surface or on 19" rack rails.



The optional RFR 1000-1 rack mount can be used to permanently mount up to 14 yellobrik modules. In addition, the RFR 1000-1 can provide full power redundancy for all mounted yellobriks.



Note: OTR 1440 is identical in terms of mounting and securing