



yellobrik®

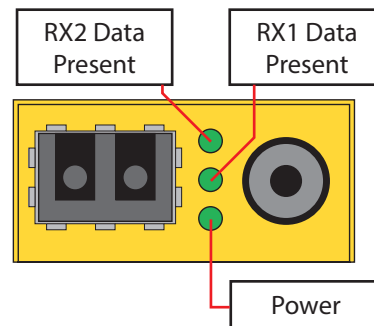
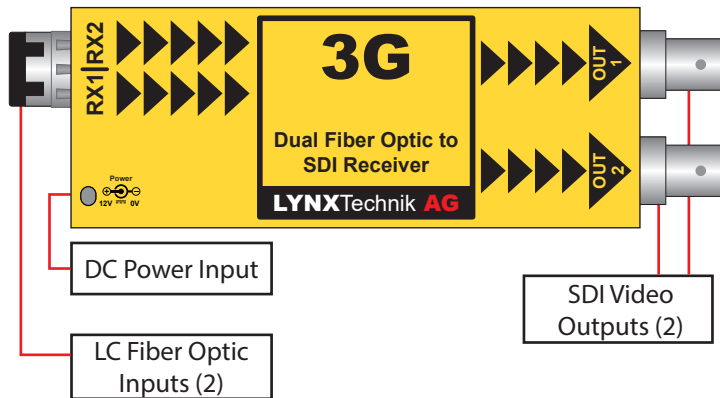
yellobrik®

Quick Reference

Technical Specifications

Optical Inputs	2 x Fiber optic Inputs (LC/PC Connections)
	SMPTE 297M - 2006
	Input range (wavelength) 1260nm to 1620nm
	RX sensitivity: -18dBm
	RX active LEDs on side of module
SDI Outputs	2 x SDI video on 75 Ohm BNC connector
	SMPTE 424M, SMPTE 292M, SMPTE 259M, DVB-ASI
	Multi-standard operation from 270Mbit/s to 3Gbit/s
	Return Loss: >15dB up to 1.5GHz; >10dB up to 3GHz
Power	+12V DC @ 1.9W nominal - (power supply included) (supports 7 - 24V DC input range) Power LED on side of module

ORR 1802-2 Dual Channel 3G Fiber to SDI Receiver



We are constantly adding additional yellobrik modules.
Please visit our website for the latest product updates.

www.lynx-technik.com

Connections

The SDI Video outputs are connected to the corresponding 75 Ohm BNC connections provided. The fiber connection is made with a duplex LC connector as indicated on the module. An example of a duplex LC connector shown below.



Note: The module is designed for use with SMF (Singlemode) fiber cable. While it is possible to use Multimode cable, performance (distance) is greatly degraded and not guaranteed.

Use the included dust plug to protect the optical connection from dust.

Operation

The ORR 1802-2 supports any SDI video signal from 270Mbit/s to 3Gbit/s. The fiber input wavelength range is 1270nm - 1610nm and is suitable for both basic fiber (1310nm) and CWDM applications. Data reception activity is indicated by the RX LEDs on the side of the module. The module has two identical (and fully independent) channels.

Operation is fully automatic. The fiber input video rates are automatically detected, relocked and provided on the BNC output connectors. No user settings are provided for this module. The module supports hot swapping and hot plugging of connections.

Note: If RX LED is OFF this indicates no signal is present, signal to weak or is a non-valid input.

Power

The module requires a clean 12V DC (7-24V DC) power source. An LED is provided to confirm power is connected. A 12V DC power supply is included with the module. If you are applying your own power source, please provide a clean, 7-24V DC power source. Power consumption information can be found in the technical specifications table.

Power Lead Strain Relief

The modules have a small hole in the case located above the power connection to prevent the power lead being accidentally pulled out. Use the supplied tie-wrap and secure the lead as shown below.



Optional Mounting Brackets

The optional RFR 1001 mounting brackets can be used to permanently mount the modules on any flat surface or on 19" rack rails.



The optional RFR 1000-1 rack mount can be used to permanently mount up to 14 yellobrik modules. In addition, the RFR 1000-1 can provide full power redundancy for all mounted yellobriks.



Note: ORR 1802-2 is identical in terms of mounting and securing